



# The new **standard for clean.**

The steam you need for the laundry and dry-cleaning industries.



## The highest quality and performance.

For almost 80 years, Cleaver-Brooks has been setting the new standard for high-performing, quality boiler room products and systems for virtually every industry. With a commitment to technological superiority while reducing operating costs and environmental impact, we always keep the unique needs of every industry in mind. The Laundry and Dry Cleaning segment is one of those industries. Whether it's floor space, fuel options, fuel costs, emissions, or a plug-and-play, pre-engineered package, Cleaver-Brooks has the right option for you. Learn how to make the most of your laundry or dry-cleaning business at [laundryanddrycleaningboilers.com](http://laundryanddrycleaningboilers.com).

### Meeting The Laundry And Dry Cleaning Industries' Needs At The Right Price

The most fuel-efficient and technologically advanced boilers in the industry

Engineered to perform under the toughest conditions

Meets all environmental regulations

Absolute lowest cost of operation



### A boiler is useless if it's unreliable.

The reliability of our boiler products starts with a better engineered boiler. And there simply isn't a better engineered, better manufactured, and more technologically advanced boiler on the market than a Cleaver-Brooks. Of course, genuine Cleaver-Brooks parts and service go a long way in assuring the boiler system stays on line, producing reliable steam year after year.

# CBR



Compact firetube solution for larger laundries.

125–350 HP

Cleaver-Brooks legendary integral burner design for maximum efficiency.

When floor space is tight, the CBR delivers the most compact firetube solution in the industry.

Simply the lowest cost of ownership for larger laundries.

Lowest emissions as standard.

Optional secondary heat recovery, including condensing economizers, available for maximum efficiency.

## Innovative Heat Transfer for High Efficiency and Compact Design

CB spiral rib firetubes create superior heat transfer in a multi-pass design.

Optimum heat transfer allows for a more compact boiler and smaller footprint.



## Cleaver-Brooks Legendary Integral Burner Now Available for Your Laundry

Our integral burner has long been the benchmark for larger boilers. If you need the power of a traditional firetube, there is no better value.

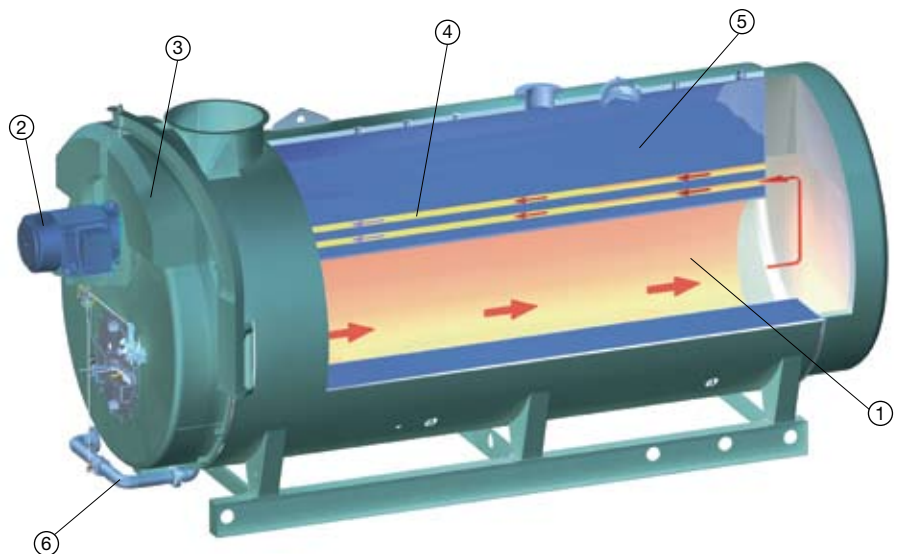
Completely integral design allows the burner to be precisely matched to the boiler for unrivaled efficiency.

Fully modulating burner matches steam supply with production demand, reducing fuel usage.

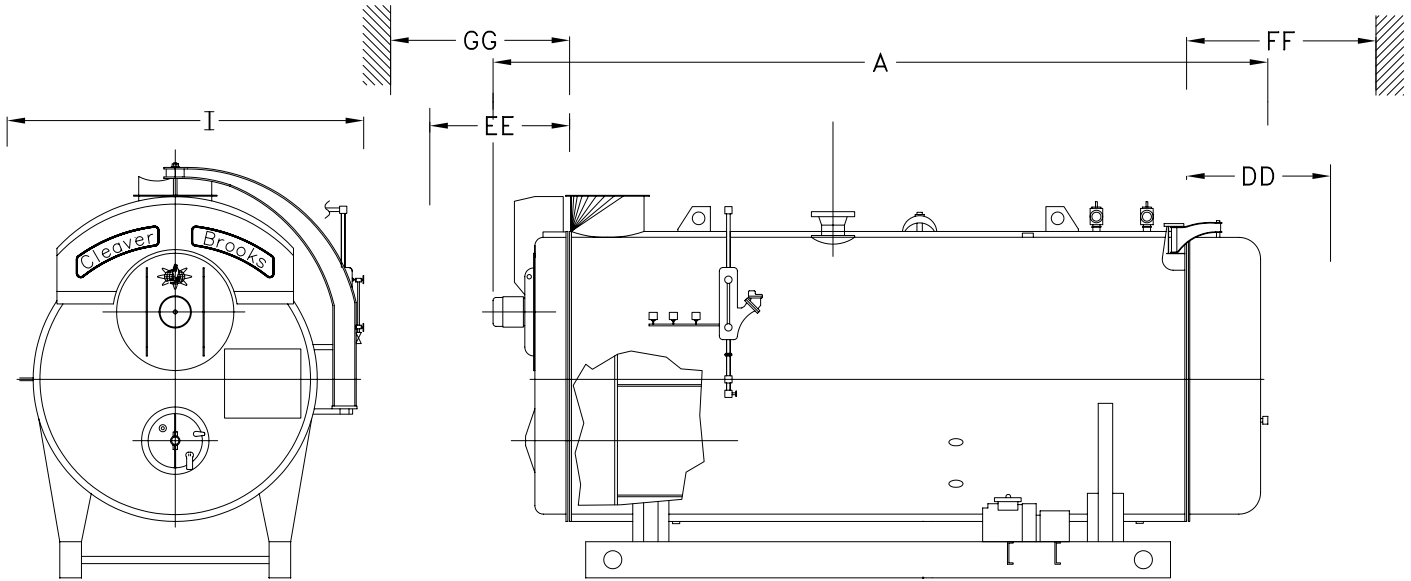
We pioneered the package firetube boiler—the fact is, we know how to build a better solution.

## CBR Features

- 1) Large Primary Furnace for Low Maintenance
- 2) Integral Burner for Optimum Combustion
- 3) Easy-Access Air-Cooled Front Head
- 4) CB Spiral Rib Multi-Pass Heat Transfer
- 5) Large Steam Space
- 6) Multi-Fuel Options



# THE MOST FUEL-EFFICIENT BOILERS AVAILABLE FOR THE LAUNDRY MARKET.



## Firetube Model CBR Dimensions and Ratings

Compact firetube solution for larger laundries.

All measurements are provided in inches. Measurements are the same for steam and hot water units except where noted.

Boiler Horsepower	125	150	200	250	300	350
<b>Dimensions - inches</b>						
Overall Length (A) (60 ppm system)	196.5	199.5	231.5	207	226	258
Overall Length (A) (30 ppm system)	199.5	200.5	233.5	211	228	260
Overall Width - HW (I)	75.5	75.5	75.5	82	82	82
Overall Width - Steam (I)	85	85	85	92	92	92
Rear Door Swing (DD)	32	32	32	36	36	36
Front Door Swing (EE)	67	67	67	75	75	75
Tube Removal - Rear (FF)	139	139	170	143	157	187
Tube Removal - Front (GG)	127	127	158	128	142	172
<b>Ratings</b>						
Rated Capacity (lbs-steam/hr. from and at 212°F)	4,313	5,175	6,900	8,625	10,350	12,075
Btu Output (1000 Btu/hr.)	4,184	5,021	6,694	8,368	10,042	11,715
EDR steam gross (sq. ft.)	17,450	20,920	27,900	34,900	41,850	48,820

Go to [laundryanddrycleaningboilers.com](http://laundryanddrycleaningboilers.com)  
to learn how to purchase **The new standard for clean.**



11950 West Lake Park Drive • Milwaukee, WI 53224 USA  
1-414-359-0600 • 1-800-250-5883  
[laundry@cleaver-brooks.com](mailto:laundry@cleaver-brooks.com) • [www.laundryanddrycleaningboilers.com](http://www.laundryanddrycleaningboilers.com)